



**NAMIBIA UNIVERSITY
OF SCIENCE AND TECHNOLOGY**

FACULTY OF COMMERCE, HUMAN SCIENCES & EDUCATION

DEPARTMENT OF GOVERNANCE & MANAGEMENT SCIENCES

QUALIFICATION: Bachelor of Business and Information Administration	
QUALIFICATION CODE: 07BBIA	LEVEL: 5
COURSE CODE: BIS521S	COURSE NAME: Business Information Systems 1B
SESSION: November 2022	PAPER: Theory
DURATION: 2 Hours	MARKS: 100

1st OPPORTUNITY EXAMINATION QUESTION PAPER	
EXAMINER(S)	Ms. S. Klaassen Ms. A. Schroeder
MODERATOR:	Dr. N. Angula

INSTRUCTIONS
<ol style="list-style-type: none">1. Answer ALL the questions.2. Detach page 2 from your question paper and insert it in your answer script.3. Read questions carefully before answering.4. Please number your answers clearly.5. Make sure your student number appears on the answering script.

PERMISSIBLE MATERIALS

1. Pen, pencil, ruler and eraser

THIS QUESTION PAPER CONSISTS OF 8 PAGES (Including this front page)



QUESTION 1 - MULTIPLE CHOICE

[20]

Choose the letter from the options that best completes the following sentences:

Use the answer sheet on page 2, detach it from the question paper then insert in your examinations answer script.

- 1.1 It protects your computer or computer network from any unwanted intrusion in the form of cyber-criminals on the internet.
A. Username
B. Firewall
C. Password
D. Encryption
- 1.2 The wheel located between the two standard buttons on a mouse is used to _____.
A. Select web pages
B. Shutdown
C. Scroll
D. Click and select items
- 1.3 This is an example of a video input device
A. Webcam
B. Digital camera
C. Scanner
D. A and B
- 1.4 _____ refers to a set of rules that determines how to use a computer.
A. Codes
B. Ethics
C. Manners
D. Language
- 1.5 The most common method of entering text and numerical data into a computer system is using a _____.
A. Mouse
B. Printer
C. Keyboard
D. Scanner
- 1.6 _____ data is called information.
A. Unprocessed
B. Processed
C. Accumulated
D. Collected
- 1.7 _____ is information or data entered onto a computer by a user or device.
A. Output
B. Input
C. Text
D. CPU

- 1.8 It is an optical reader that uses laser beams to read prices on an article.
A. Scanner
B. Reading device
C. Barcode reader
D. Mouse
- 1.9 Soft copy output would best be described as:
A. Output displayed on the screen
B. Audio output
C. Output in form of a signal
D. A printed copy
- 1.10 Is a type of malware that affects or infects a computer by altering the way the computer operates without the knowledge of the user.
A. Virus
B. Rootkit
C. Spyware
D. Software
- 1.11 What device is shown in the picture?
A. Data projector
B. A Webcam
C. Scanner
D. Minicomputer
- 
- 1.12 The device in the picture is an _____ device.
- 
- A. Output device
B. Audio output
C. Input device
D. A screen device
- 1.13 Command line interface can be described best _____.
A. Gives user interface
B. The user types commands to go enter data or instructions
C. The user commands the hardware to work
D. The user acts with the computer
- 1.14 What type of device is a headphone?
A. Output
B. Input
C. Output in the form of a signal
D. All of the above
- 1.15 Is an instrumental tool to display images onto a board using a data projector _____.
A. Digital Camera
B. LCD projector
C. Speakers
D. Interactive whiteboards

- 1.16 It describes the difference between the darkest black and the brightest white on a screen
- Resolution
 - Contrast Ratio
 - Pixel
 - Bright lights
- 1.17 The language that the computer can read, is called _____
- Computer language
 - English
 - Binary language
 - Combination language
- 1.18 This option of shutdown means that the computer uses less power _____
- Sleep
 - Idles
 - Hibernation
 - Bios
- 1.19 The following is not an external storage medium _____
- Smart Card
 - Hard Drive
 - RFID tag
 - NFC tag
- 1.20 A _____ is a card that contains information identifying you and the card.
- SSD
 - Magnetic Stripe card
 - Network card
 - Read Only Card

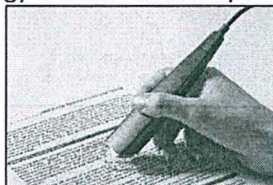
QUESTION 2: SHORT QUESTIONS

[10 X 2 =20]

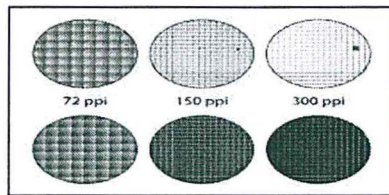
- 2.1 This drive (SSD) can be described as an oversized and more sophisticated version of the USB. Name this drive.
- 2.2 This type of voice input enables users to make calls over the internet.
- 2.3 The start-up function of the Operating system basically means to boot the computer. The CPU contains the BIOS which contains the first start-up instruction, which runs to the next instruction **which is to test the computer hardware**. Give the name of this instruction taking place in the Operating System.
- 2.4 Below is a picture of a storage medium. Write down the name (DVD) in full.



- 2.5 OCR is an example of reading technology that can detect optical information, what does the abbreviation stands for?



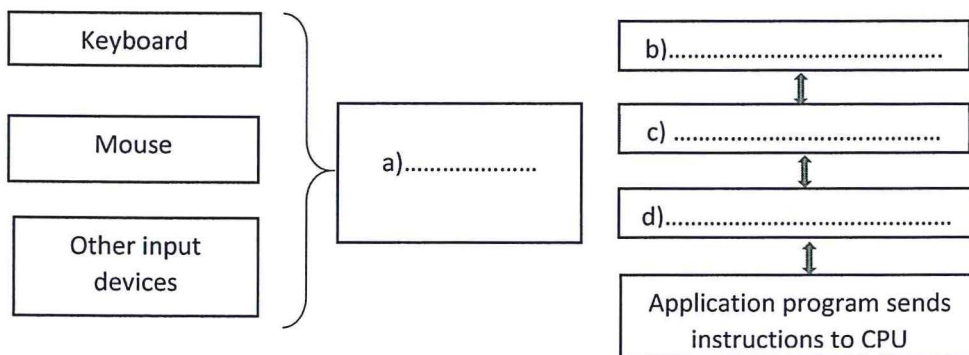
- 2.6 Distance is measured in kilometers, storage space is measured in MB. What is this measurement for storage space called?
- 2.7 Display technology has developed immensely over the years. There is a difference between CCFL and LED - the one is working with a fluorescent lamp and the other with light. Give the name for the abbreviation, LED.
- 2.8 An **OTP** is a method of protection of information, for example a bank will send you an OTP before financial transactions can be submitted. What does the abbreviation stand for?
- 2.9 We simply call it the mother board of the computer _____.
- 2.10 Screen resolution as in the picture below is measured in PPI. The more PPI packed into one inch, the clearer the image. Explain to your friend what PPI stands for.



QUESTION 3 STRUCTURED QUESTIONS

[12]

- 3.1 What is an External Hard Drive? [2]
- 3.2 Give 3 advantages of External hard drives. [3]
- 3.3 Explain Cloud Storage and name 2 advantages. [3]
- 3.4 Complete the input process diagram below. [4]



QUESTION 4: STRUCTURED QUESTIONS

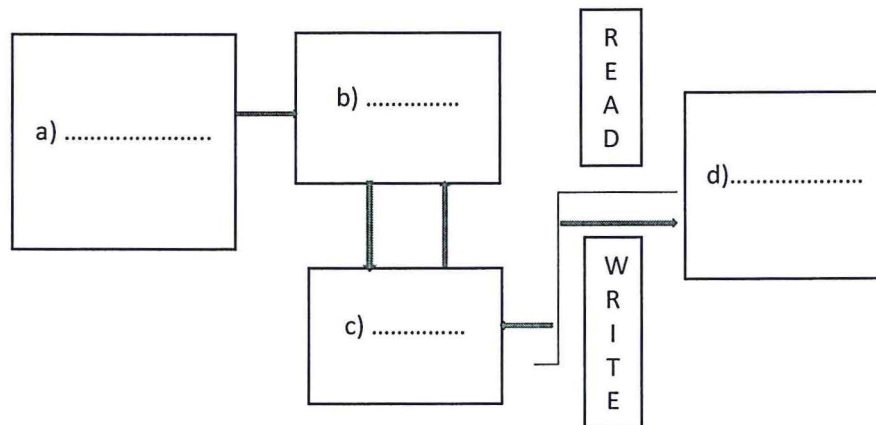
[12]

- 4.1 Explain the term Biometrics and give 2 examples. [4]
- 4.2 Explain "text" and "graphics" as two (2) types of output. [4]
- 4.3 Name 2 types of layouts on keyboards. [2]
- 4.4 What is a compact keyboard and where will you find it? [2]

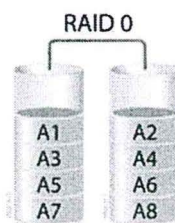
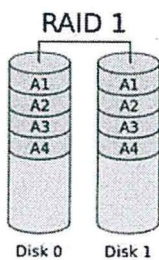
QUESTION 5: STRUCTURED QUESTIONS

[12]

- 5.1 What does User Interface mean? [2]
- 5.2 Explain the following terms: [2]
 - 3.2.1 Reading
 - 3.2.2 Writing
- 5.3 Complete the following input and output diagram. [4]



- 5.4 Identify the following types of RAID techniques illustrated in the picture below? Explain the difference between these types of technique. [4]



QUESTION 6: STRUCTURED QUESTIONS**[12]**

- 6.1 Name 5 functions of an operating system. [5]
- 6.2 Explain the difference between **Single task operating system** and **Multi-task operating system**. [2]
- 6.3 Choose the alphabetic letter from column TWO that corresponds with the description in column ONE in connection with malware. [5]

COLUMN ONE	COLUMN TWO
1 A type of malware that spreads from computer to computer, and travels without human action.	A TJOJAN HORSE
2 A program that secretly collects information about the computer user and conveys confidential user information to external users.	B WORM
3 A type of malware often disguised as legitimate software.	C ADWARE
4 A program that displays on-line advertisements on a computer, also called op-up windows or banners	D ROOTKIT
5 A malicious program that hides in a computer that allows someone to access the program remotely ant take full control of the host computer.	E SPYWARE

QUESTION 7: STRUCTURED QUESTIONS**[12]**

- 7.1 Suggest 5 ways to your friend on how he can protect his password. [4]
- 7.2 Stealing of Software is an example of software theft. Name TWO other types of software theft. [2]
- 7.3 Explain the following terms:
- 7.3.1 Intellectual Property Rights [2]
- 7.3.2 Copyright [2]
- 7.3.3 Green Computing [2]

TOTAL: [100 MARKS]

Detach page 2 from your question paper and insert it in your answer script.

STUDENT NO: _____ SURNAME & INITIAL: _____

GROUP:	
Full-time	

GROUP:	
Distance	

QUESTION 1: MULTIPLE CHOICE QUESTIONS ANSWERSHEET [20]

Choose the letter from the options that best completes the following sentences by inserting a cross at the correct letter.

1.1	A	B	C	D
1.2	A	B	C	D
1.3	A	B	C	D
1.4	A	B	C	D
1.5	A	B	C	D
1.6	A	B	C	D
1.7	A	B	C	D
1.8	A	B	C	D
1.9	A	B	C	D
1.10	A	B	C	D
1.11	A	B	C	D
1.12	A	B	C	D
1.13	A	B	C	D
1.14	A	B	C	D
1.15	A	B	C	D
1.16	A	B	C	D
1.17	A	B	C	D
1.18	A	B	C	D
1.19	A	B	C	D
1.20	A	B	C	D